

**Actuator arm**

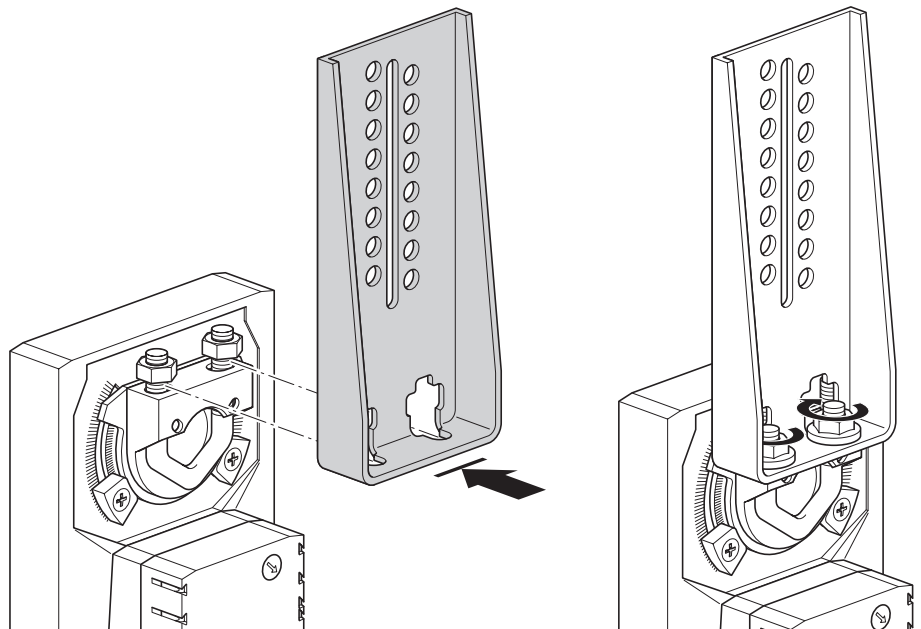
- for GM..A.. standard spindle clamp (reversible) with clamping range 12...26 mm
- slot width 8.2 mm

**Technical data**

<b>Weight</b>	Weight	0.36 kg
	Packaging size	Single-pack

**Product features**

<b>Used materials</b>	Galvanised steel
<b>Application</b>	Suitable for GK..A, GM..A, SMQ..A



Dimensions [mm]

Dimensional drawings

