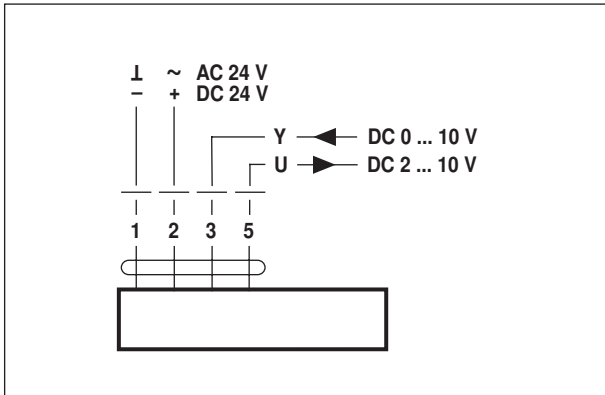
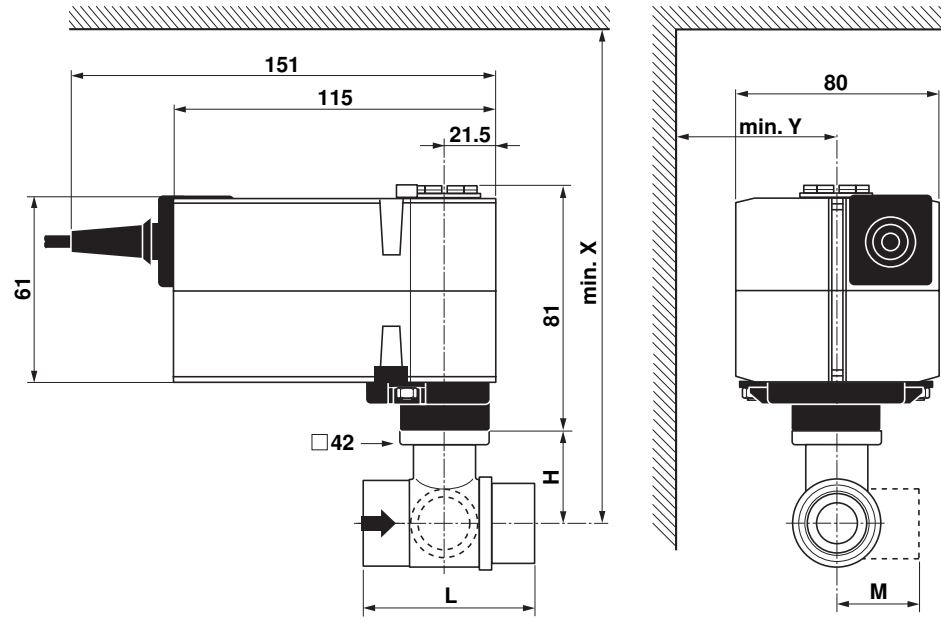




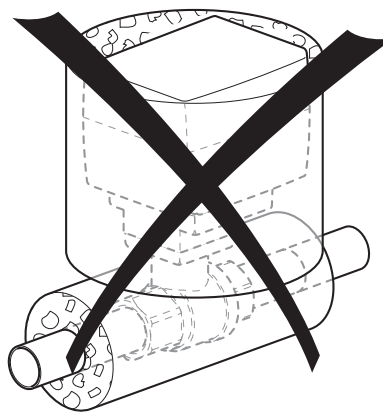
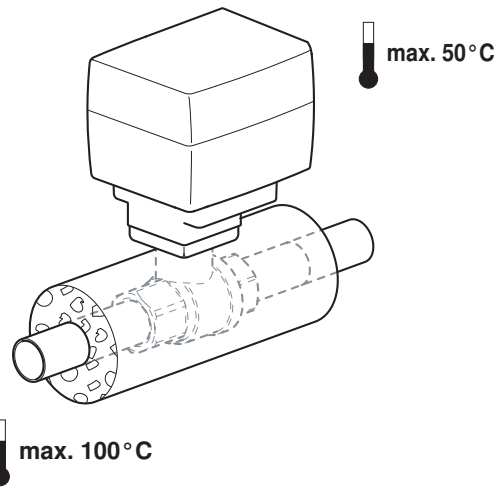


TRFD24-MFT (-O) (-T)
TRF24-MFT (-O) (-T)

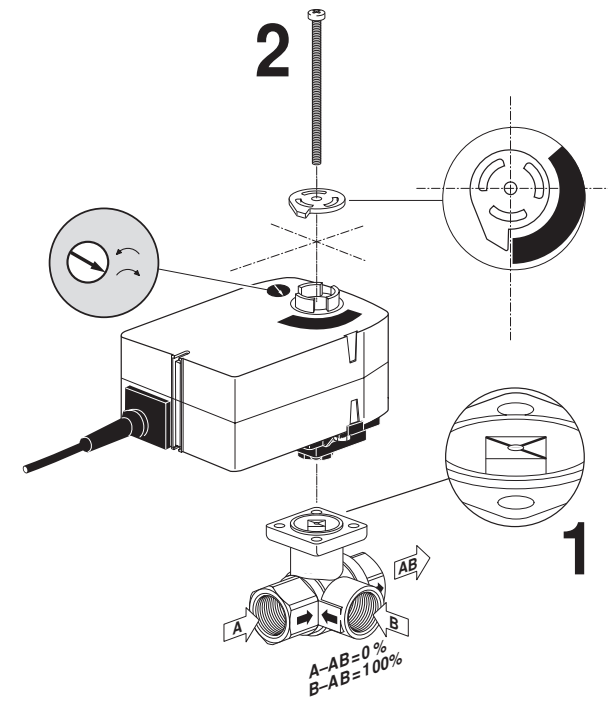
70356-00001.A



|  |  | DN | | Rp | G | PN | mm | | | TRFD..(-O)(-T) | | TRF..(-O)(-T) | |
|--|--|----|-----|-----|-----|----|-------|------|----|----------------|----|---------------|----|
| | | mm | " | | | | L | H | M | X | Y | X | Y |
| R2..K | R3..K | 10 | 3/8 | 3/8 | | | 52 | 35 | 28 | 180 | 80 | | |
| R4..K | R5..K | 10 | 3/8 | | 3/4 | | 69 | 31.5 | 34 | 180 | 80 | | |
| R2.. | R3.. | 15 | 1/2 | 1/2 | | | 67 | 45 | 39 | | | 190 | 80 |
| R4.. | R5.. | 15 | 1/2 | | 1 | | 74 | 44 | 38 | | | 190 | 80 |
| R6..R | R7..R | 15 | 1/2 | | | 6 | 101.5 | 45 | 73 | | | 190 | 80 |



TRFD.. (-T)
TRF.. (-T)



TRFD..-O (-T)
TRF..-O (-T)

