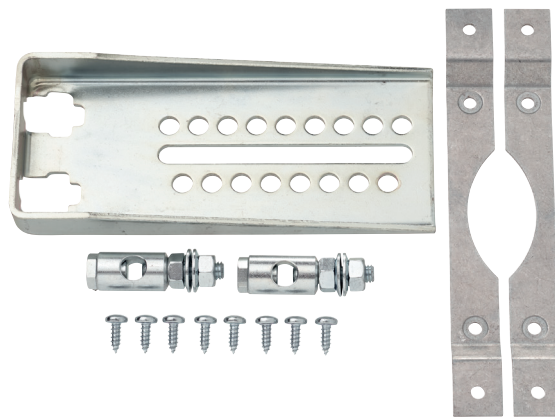


**Mounting kit for linkage operation
GM..A**

- for flat installation
- 2 fastening elements
- 2 ball joint KG10A
- 1 crank arm
- 8 screws

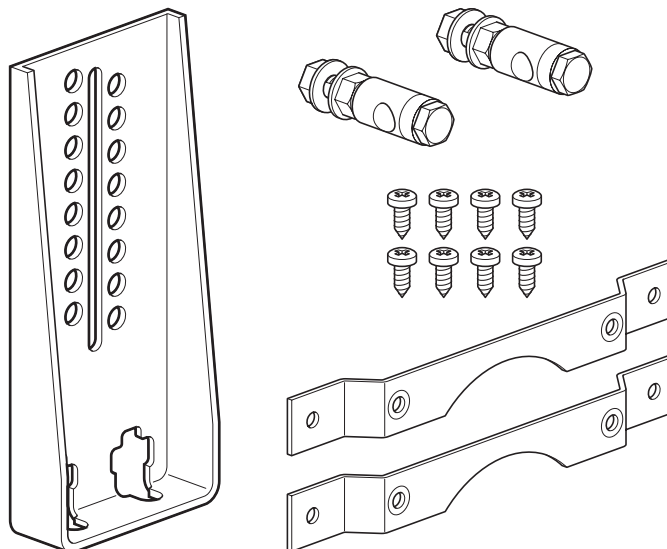


Technical data

Weight	Weight	0.59 kg
	Packaging size	Single-pack

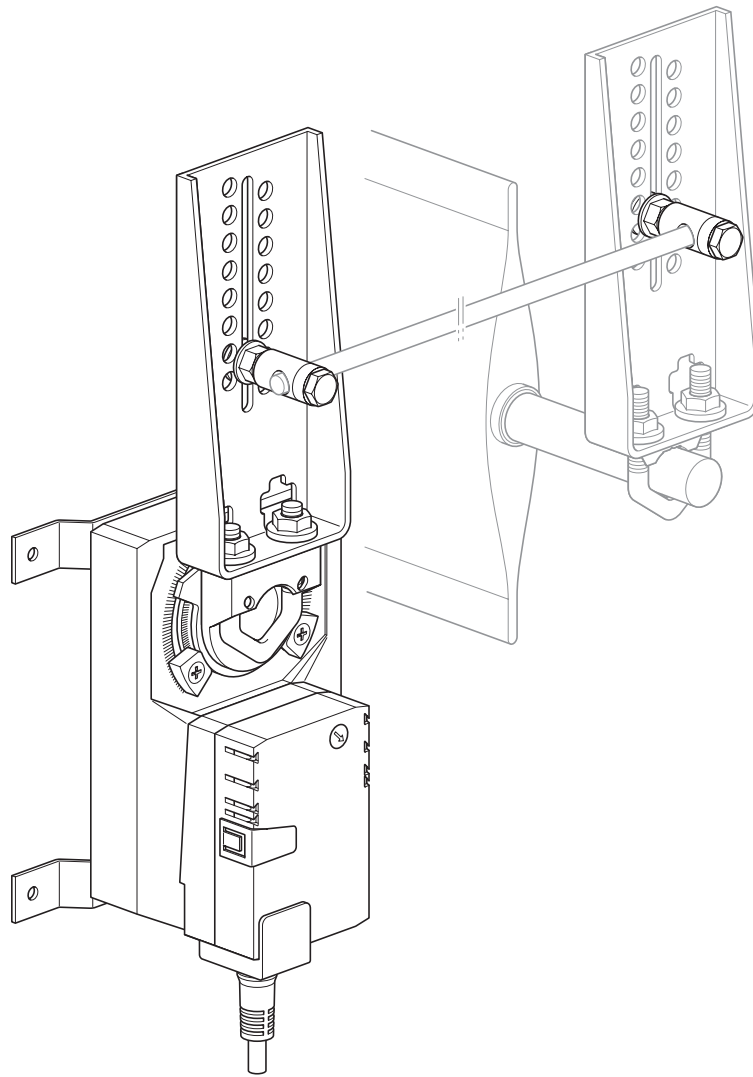
Product features

- Used materials** Galvanised steel
- Application** Suitable for GK..A, GM..A, SMQ..A



Product features

Application



Dimensions [mm]

Dimensional drawings

