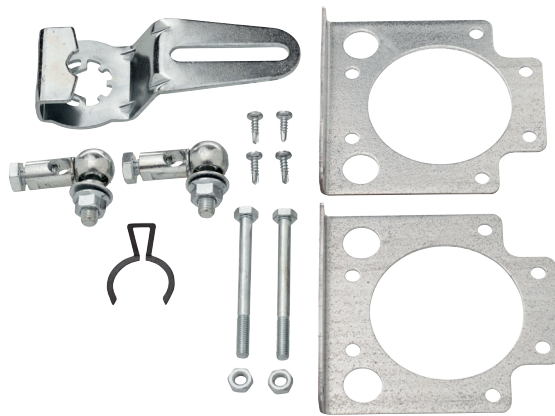


**Mounting kit for linkage operation LF..**

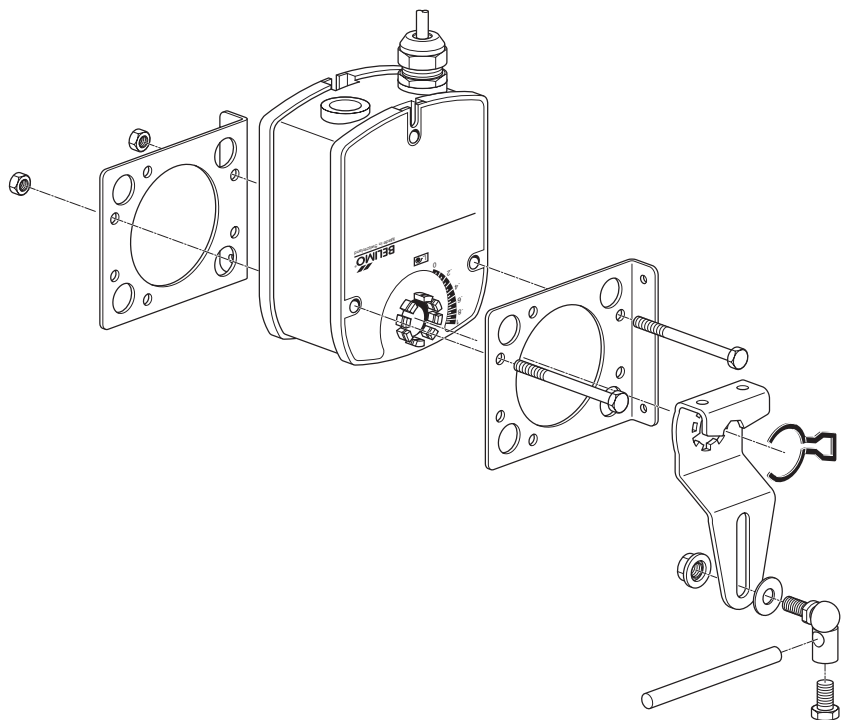
- for side installation
- 2 fastening brackets
- 2 angled ball joint KG8
- 1 crank arm
- 1 circlip
- 6 screws and 2 nuts


**Technical data**

<b>Weight</b>	Weight	0.47 kg
	Packaging size	Single-pack

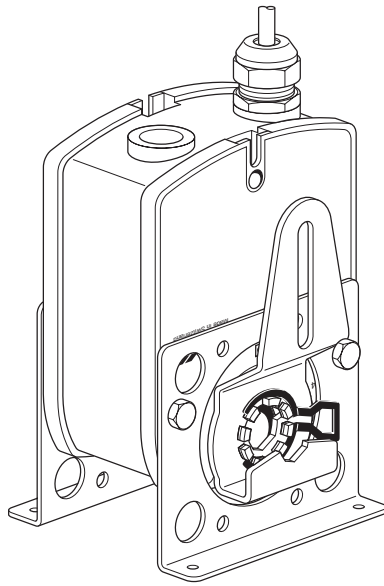
**Product features**

<b>Used materials</b>	Galvanised steel
<b>Application</b>	Suitable for LF..



**Product features**

**Application**



**Application**

